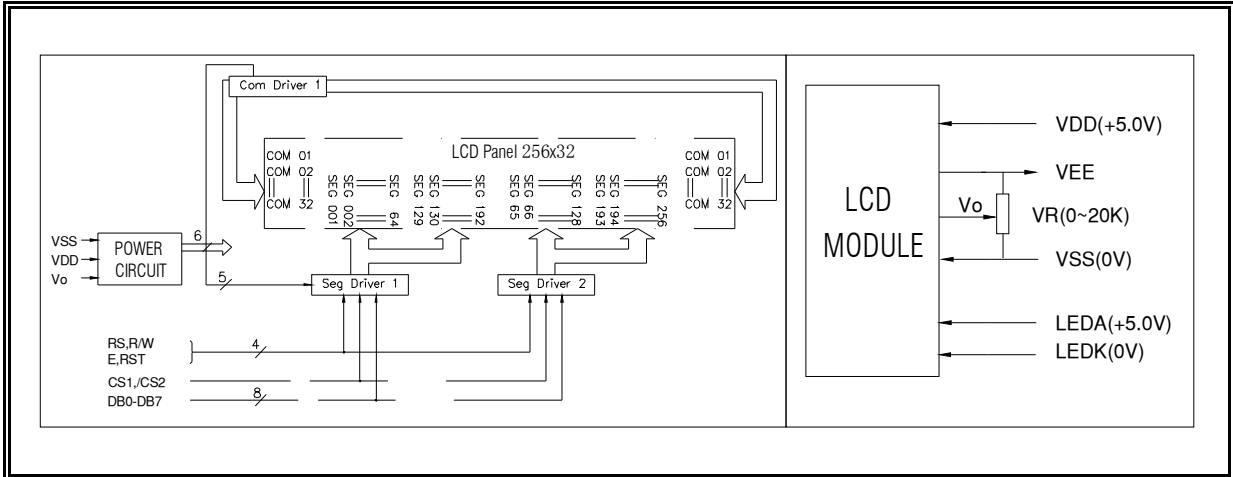
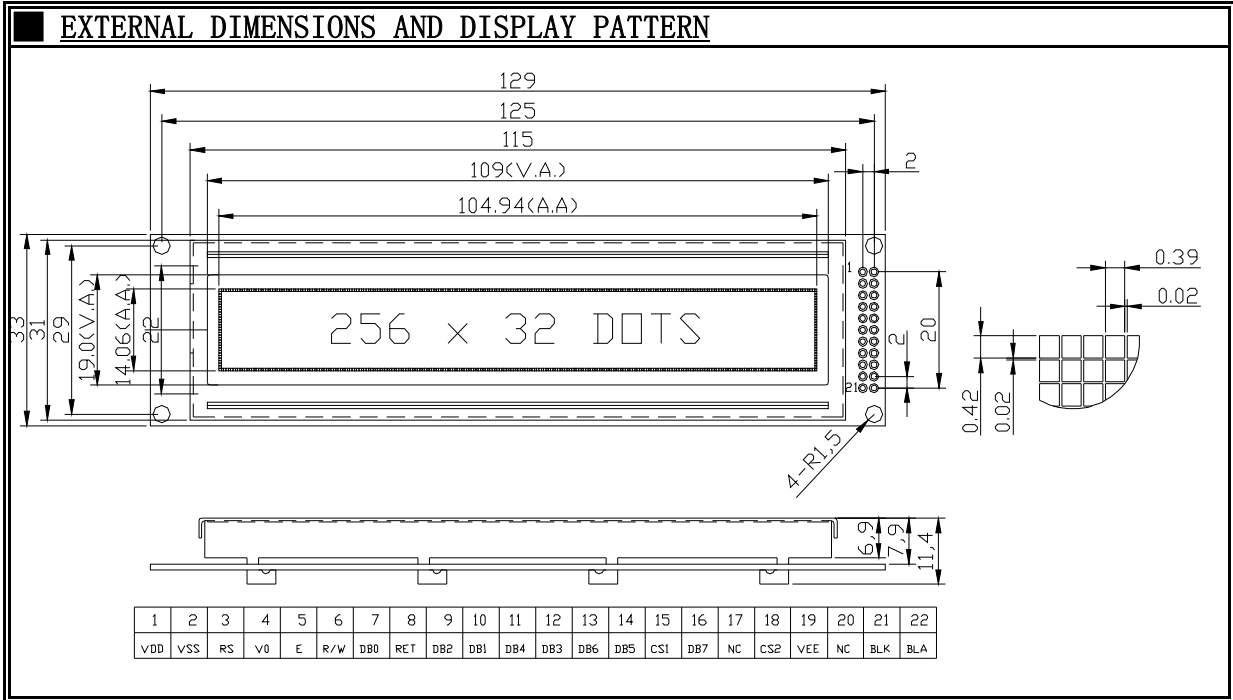


| | | | | | | | | | |
|-------------------------------|----------|-----|-----|------|----------------|----|------|--------------|-------------|
| SZ Wayeah LCM serial products | | | | | | | | KM25632A1-02 | |
| Option | LCD TYPE | | | | BackLight TYPE | | | Controller | Touch panel |
| | TN | HTN | STN | FSTN | LED | EL | CCFL | S6B0108B | x |
| | | | ✓ | | ✓ | ✓ | | | |

| Mechanical data | | | Absolute Maximum Raring | | | | | |
|-----------------|-----------------|------|-------------------------|-------|------|--------|------|------|
| ITEM | W x H x D | Unit | ITEM | Symb. | Min. | Type | Max. | Unit |
| Module Size | 129.0x33.0x11.4 | mm | Supply Voltage | VDD | 3.0 | 5.0 | 5.5 | V |
| View-area | 109.0 x 19.0 | mm | LCD drive voltage | V0 | - | - | 15V | V |
| Respective | 256 x 32 | dots | Input voltage | Vi | 0 | 0.7VDD | VDD | V |
| Dot Size | 0.39 x 0.42 | mm | Operate temp. | Top | -20 | 25 | +70 | °C |
| Dot Pitch | 0.41 x 0.44 | mm | Storage temp. | Tsg | -30 | 25 | +80 | °C |



INTERFACE

| NO. | NAME | NO. | NAME | NO. | NAME | NO. | NAME |
|-----|------|-----|------|-----|------|-----|------|
| 1 | VDD | 7 | DB0 | 13 | DB6 | 19 | VEE |
| 2 | VSS | 8 | RET | 14 | DB5 | 20 | NC |
| 3 | RS | 9 | DB2 | 15 | CS1 | 21 | BLK |
| 4 | V0 | 10 | DB1 | 16 | DB7 | 22 | BLA |
| 5 | E | 11 | DB4 | 17 | NC | | |
| 6 | R/W | 12 | DB3 | 18 | CS2 | | |