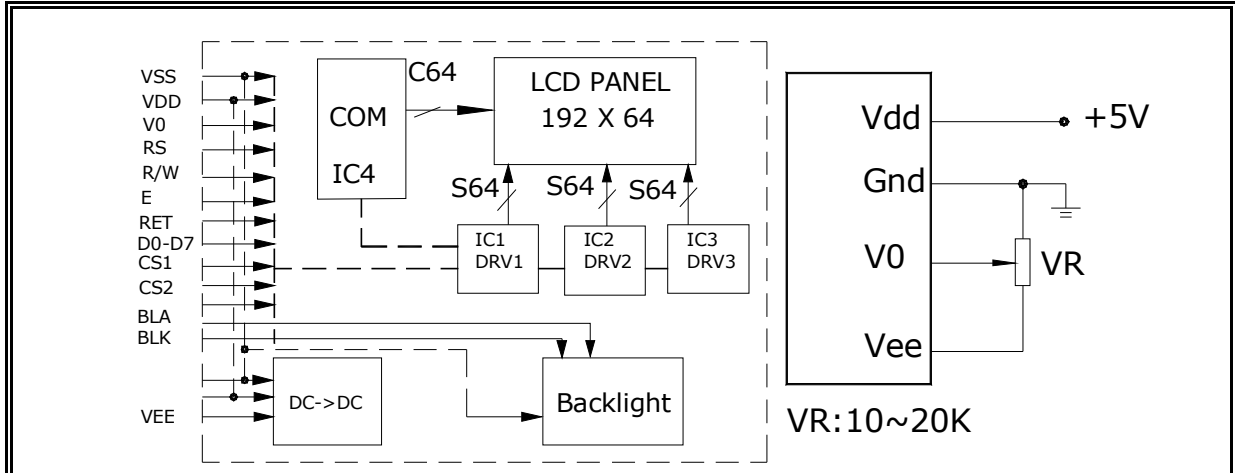
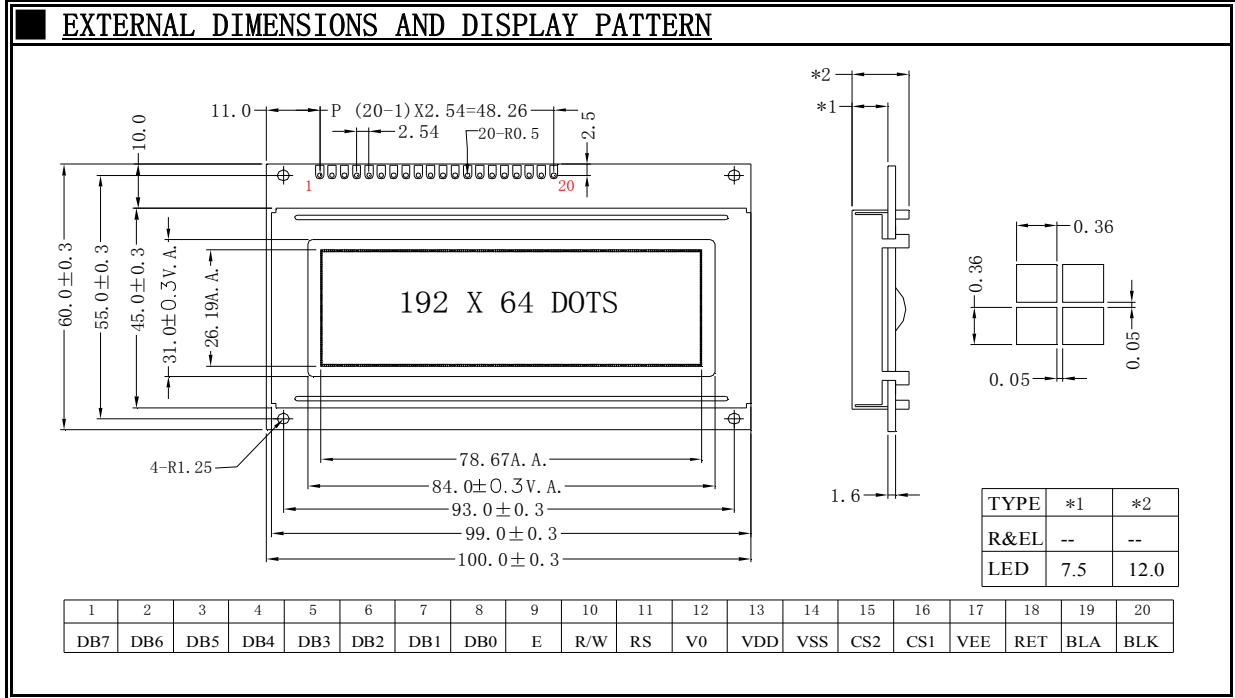


SZ WAYEAH LCM serial products								KM19264B	
Option	LCD TYPE				BackLight TYPE			Controller	Touch panel
	TN	HTN	STN	FSTN	LED	EL	CCFL	S6B0108B	x
			✓		✓				

Mechanical data			Absolute Maximum Rating					
ITEM	W x H x D	Unit	ITEM	Symb.	Min.	Type	Max.	Unit
Module Size	100.0x60.0x12.0	mm	Supply Voltage	VDD	3.0	5.0	5.5	V
View-area	84.0 x 31.0	mm	LCD drive voltage	V0	-	-	15V	V
Respective	192 x 64	dots	Input voltage	Vi	0	0.7VDD	VDD	V
Dot Size	0.36 x 0.36	mm	Operate temp.	Top	-20	25	+70	°C
Dot Pitch	0.41 x 0.41	mm	Storage temp.	Tsg	-30	25	+80	°C



INTERFACE

NO.	NAME	NO.	NAME	NO.	NAME	NO.	NAME
1	DB7	7	DB1	13	VDD	19	BLA
2	DB6	8	DB0	14	VSS	20	BLK
3	DB5	9	E	15	CS2		
4	DB4	10	R/W	16	CS1		
5	DB3	11	RS	17	VEE		
6	DB2	12	V0	18	RET		