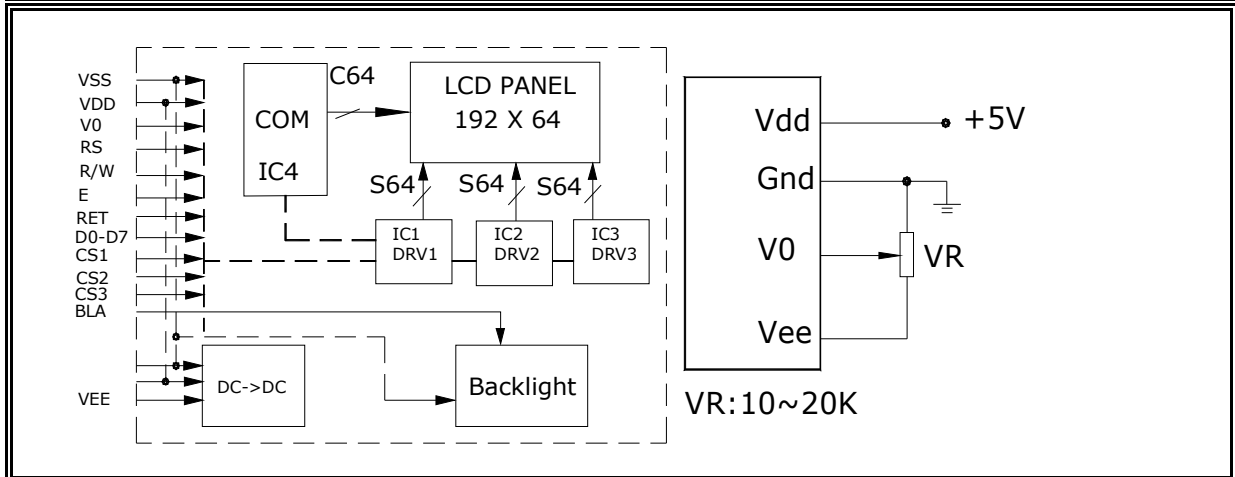


SZ WAYEAH LCM serial products								KM19264A	
Option	LCD TYPE				BackLight TYPE			Controler	
	TN	HTN	STN	FSTN	LED	EL	CCFL	S6B0108B	
			✓		✓	✓			

Mechanical data			Absolute Maximum Raring					
ITEM	W x H x D	Unit	ITEM	Symb.	Min.	Type	Max.	Unit
Module Size	130x65x12.5/9.8	mm	Supply Voltage	VDD	3.0	5.0	5.5	V
View-area	104.0 x 39.0	mm	LCD drive voltage	V0	-	-	13V	V
Respective	192 x 64	dots	Input voltage	Vi	0	0.7VDD	VDD	V
Dot Size	0.458 x 0.458	mm	Operate temp.	Top	-20	25	+70	°C
Dot Pitch	0.508 x 0.508	mm	Storage temp.	Tsg	-30	25	+80	°C

EXTERNAL DIMENSIONS AND DISPLAY PATTERN

1	2	3	4	5	6	7	8	9	10	11	12	13	14	15	16	17	18	19	20
VSS	VDD	V0	AO	R/W	E	DB0	DB1	DB2	DB3	DB4	DB5	DB6	DB7	CS1	RET	CS2	CS3	VEE	BLA



INTERFACE

NO.	NAME	NO.	NAME	NO.	NAME	NO.	NAME
1	VSS	7	DB0	13	DB6	19	VEE
2	VDD	8	DB1	14	DB7	20	BLA
3	V0	9	DB2	15	/CS1		
4	RS	10	DB3	16	RET		
5	R/W	11	DB4	17	/CS2		
6	E	12	DB5	18	/CS3		