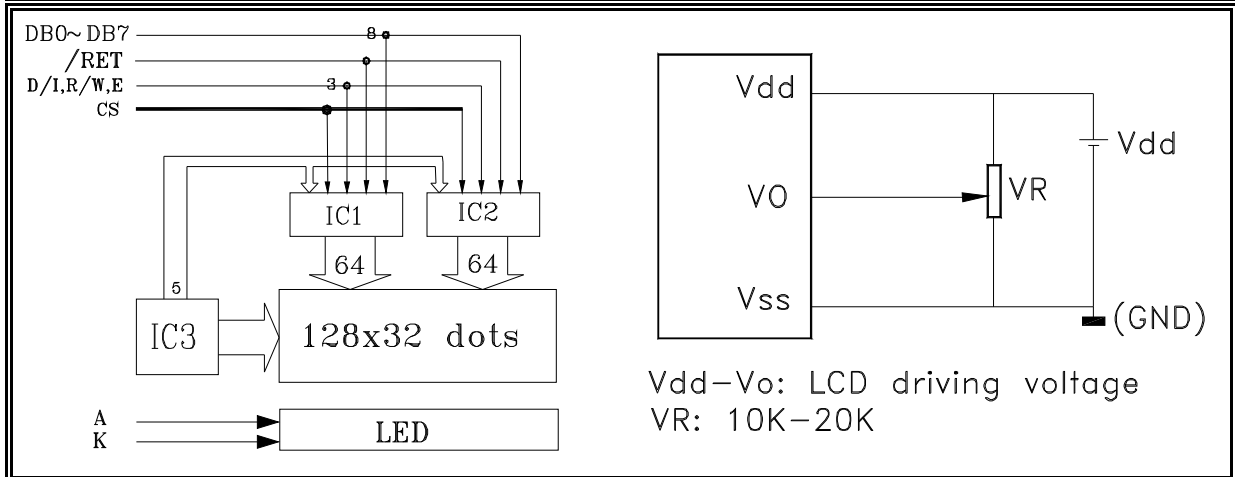
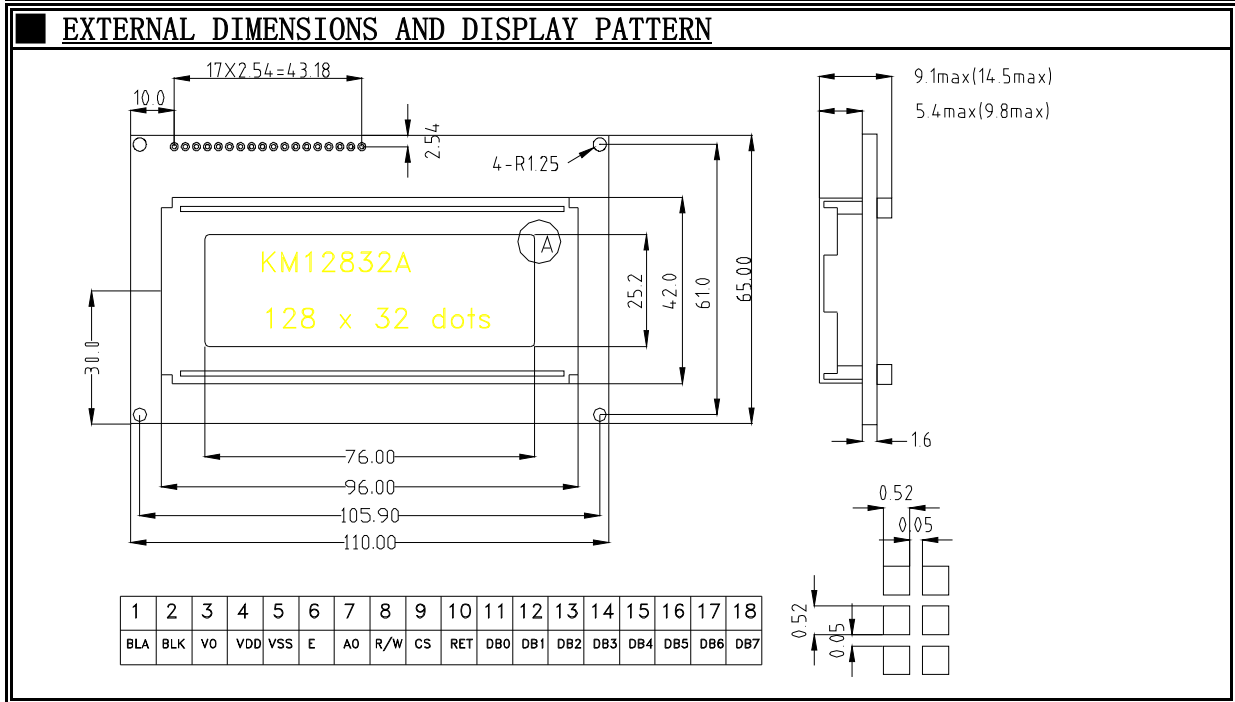


SZ Wayah LCM serial products							KM12832A	
Option	LCD TYPE				BackLight TYPE			Controler
	TN	HTN	STN	FSTN	LED	EL	CCFL	S6B0108B
			✓	✓	✓			

Mechanical data			Absolute Maximum Raring					
ITEM	W x H x D	Unit	ITEM	Symb.	Min.	Type	Max.	Unit
Module Size	110.0x65.0x14.5	mm	Supply Voltage	VDD	3.0	5.0	5.5	V
View-area	76.0 x 25.2	mm	LCD drive voltage	VO	-3.0	4.8	0	V
Respective	128 x 32	dots	Input voltage	Vi	0	0.7VDD	VDD	V
Dot Size	0.52 x 0.52	mm	Operate temp.	Top	-20	25	+70	°C
Dot Pitch	0.57 x 0.57	mm	Storage temp.	Tsg	-30	25	+80	°C



INTERFACE

NO.	NAME	NO.	NAME	NO.	NAME
1	BLA	7	RS	13	DB2
2	BLK	8	R/W	14	DB3
3	VO	9	CS	15	DB4
4	VDD	10	RET	16	DB5
5	VSS	11	DB0	17	DB6
6	E	12	DB1	18	DB7