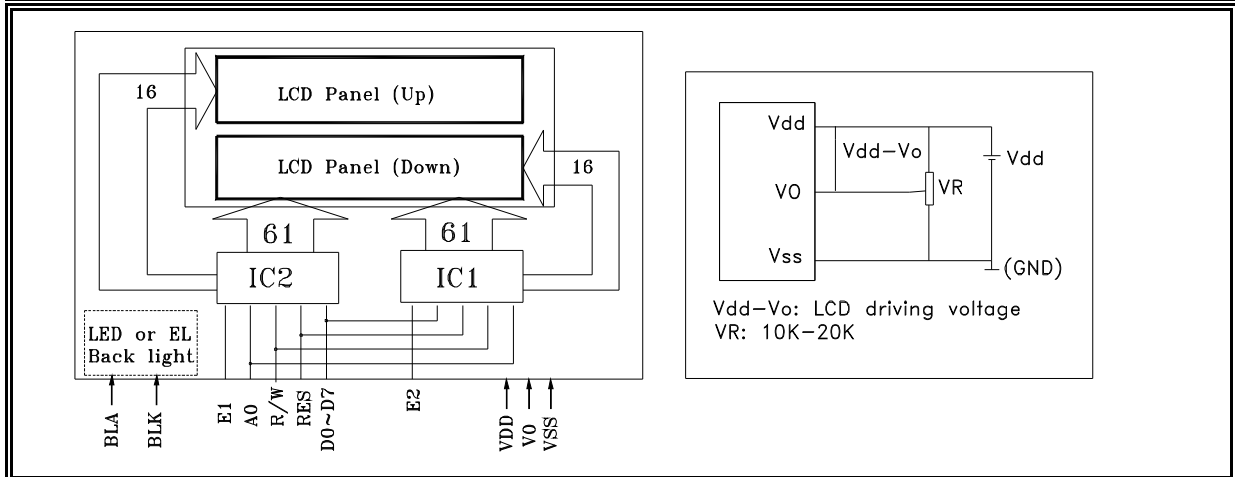
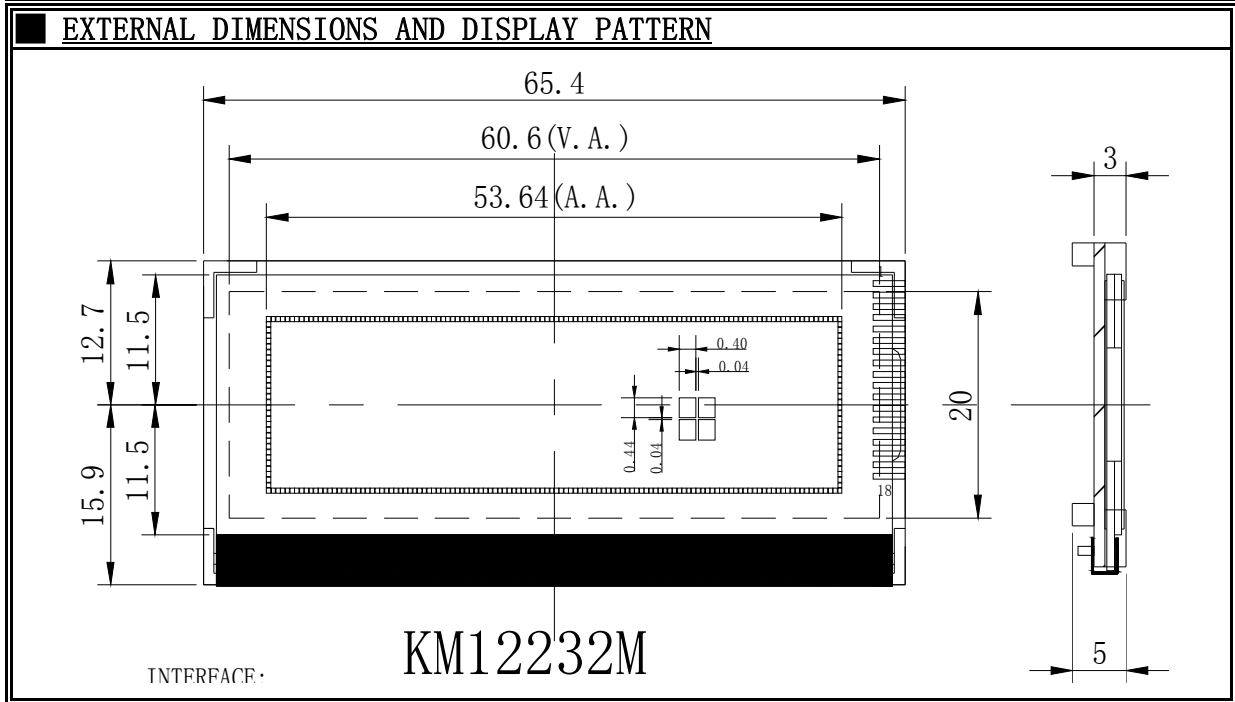


SZ Wayeah LCM serial products							KM12232M		
Option	LCD TYPE				BackLight TYPE			Controler	
	TN	HTN	STN	FSTN	LED	EL	CCFL	AX6120D0A/PT6520	
			✓		✓				

Mechanical data			Absolute Maximum Raring					
ITEM	W x H x D	Unit	ITEM	Symb.	Min.	Type	Max.	Unit
Module Size	65.4x28.6x5.0	mm	Supply Voltage	VDD	3.0	5.0	5.5	V
View-area	60.6 x 20.0	mm	LCD drive voltage	VO	-3.0	4.8	0	V
Respective	122 x 32	dots	Input voltage	Vi	0	0.7VDD	VDD	V
Dot Size	0.40 x 0.40	mm	Operate temp.	Top	-20	25	+70	°C
Dot Pitch	0.44 x 0.44	mm	Storage temp.	Tsg	-30	25	+80	°C



INTERFACE

NO.	NAME	NO.	NAME	NO.	NAME
1	VDD	7	R/W	13	DB4
2	VSS	8	RS	14	DB5
3	VO	9	DB0	15	DB6
4	/RET	10	DB1	16	DB7
5	E1	11	DB2	17	BLA
6	E2	12	DB3	18	BLK