

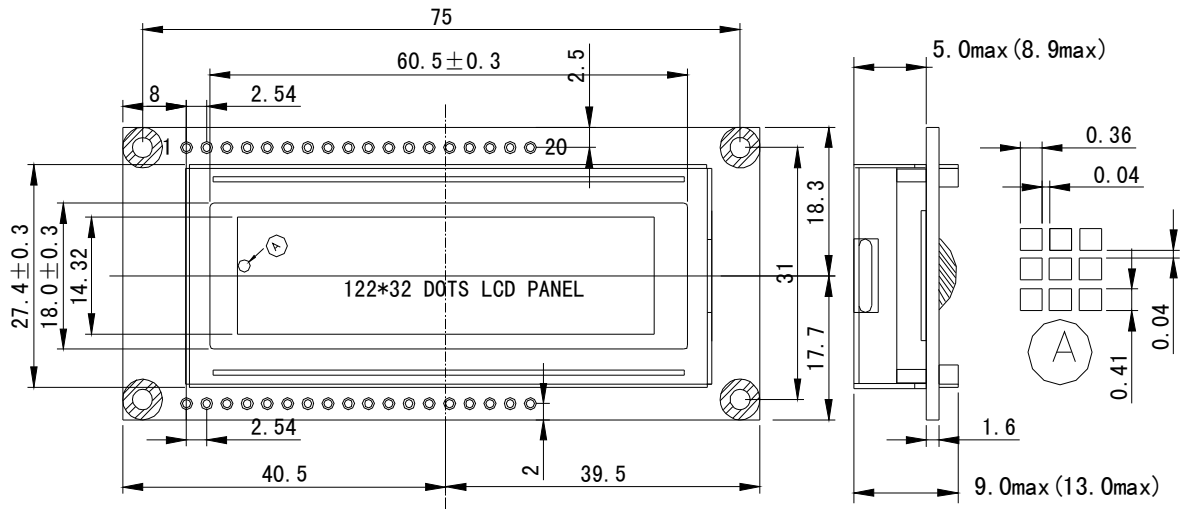
SZ Wayeah LCM serial products

KM12232K

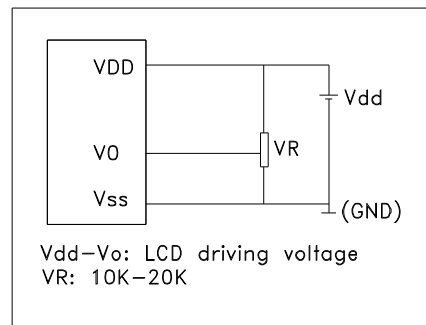
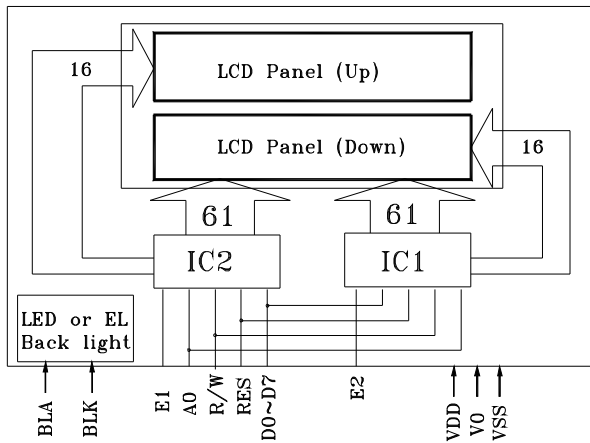
Option	LCD TYPE				BackLight TYPE			Controller	
	TN	HTN	STN	FSTN	LED	EL	CCFL	AX6120	
			✓		✓	✓			

Mechanical data			Absolute Maximum Rating					
ITEM	W x H x D	Unit	ITEM	Symb.	Min.	Type	Max.	Unit
Module Size	80.0x36.0x13.0	mm	Supply Voltage	VDD	3.0	5.0	5.5	V
View-area	60.5 x 18.0	mm	LCD drive voltage	V0	-3.0	4.8	0	V
Respective	122 x 32	dots	Input voltage	Vi	0	0.7VDD	VDD	V
Dot Size	0.36 x 0.41	mm	Operate temp.	Top	-20	25	+70	°C
Dot Pitch	0.40 x 0.45	mm	Storage temp.	Tsg	-30	25	+80	°C

EXTERNAL DIMENSIONS AND DISPLAY PATTERN



1	2	3	4	5	6	7	8	9	10	11	12	13	14	15	16	17	18	19	20
VSS	VDD	V0	A0	R/W	NC	NC	E1	E2	DB0	DB1	DB2	DB3	DB4	DB5	DB6	DB7	RET	K	A



INTERFACE

NO.	NAME	NO.	NAME	NO.	NAME	NO.	NAME
1	VSS	7	NC	13	DB3	19	BLK
2	VDD	8	E1	14	DB4	20	BLA
3	V0	9	E2	15	DB5		
4	A0	10	DB0	16	DB6		
5	R/W	11	DB1	17	DB7		
6	NC	12	DB2	18	RET		