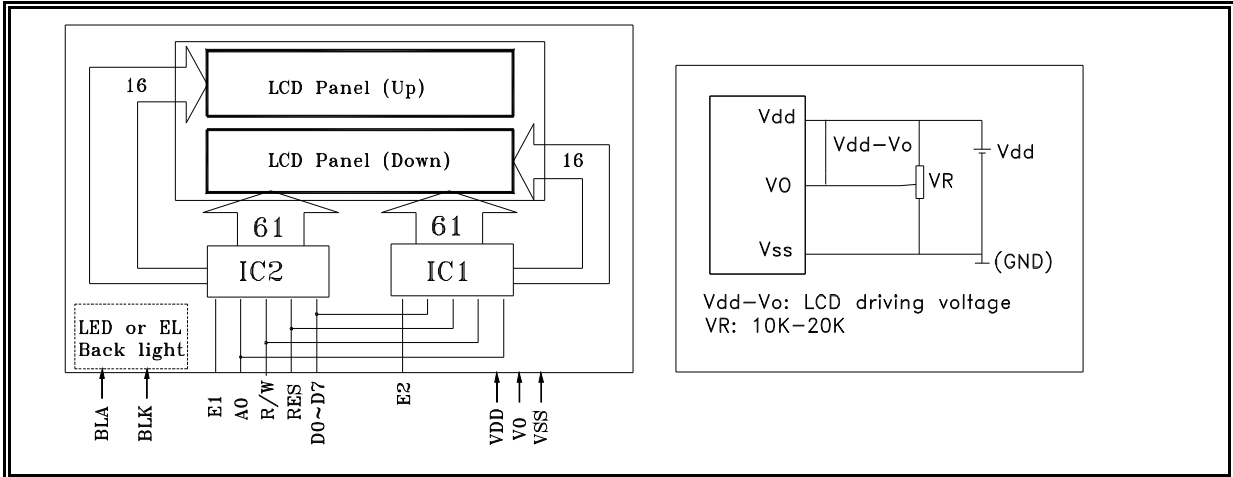


SZ Wayah LCM serial products							KM12232C3		
Option	LCD TYPE				BackLight TYPE			Controller	
	TN	HTN	STN	FSTN	LED	EL	CCFL	SBN1661	
			✓		✓				

Mechanical data			Absolute Maximum Rating					
ITEM	W x H x D	Unit	ITEM	Symb.	Min.	Type	Max.	Unit
Module Size	70.0x28.6x12.8	mm	Supply Voltage	VDD	3.0	5.0	5.5	V
View-area	60.5 x 18.3	mm	LCD drive voltage	VO	-3.0	4.8	0	V
Respective	122 x 32	dots	Input voltage	Vi	0	0.7VDD	VDD	V
Dot Size	0.36 x 0.41	mm	Operate temp.	Top	-20	25	+70	°C
Dot Pitch	0.40 x 0.45	mm	Storage temp.	Tsg	-30	25	+80	°C

EXTERNAL DIMENSIONS AND DISPLAY PATTERN

1	2	3	4	5	6	7	8	9	10	11	12	13	14	15	16	17	18
VDD	VSS	VO	RET	E1	E2	R/W	RS	DB0	DB1	DB2	DB3	DB4	DB5	DB6	DB7	BLA	BLK



INTERFACE

NO.	NAME	NO.	NAME	NO.	NAME
1	VDD	7	R/W	13	DB4
2	VSS	8	RS	14	DB5
3	VO	9	DB0	15	DB6
4	/RET	10	DB1	16	DB7
5	E1	11	DB2	17	BLA
6	E2	12	DB3	18	BLK